

# THUMP212

# THUMP215



## THUMP212 • THUMP215

### 1400W Powered Loudspeaker Series

The new Thump Loudspeakers are the next evolution of the incredibly popular series, packed with more power, capability, and bang-for-the-buck than ever before.

Completely redesigned from the ground up, Thump features heavy-duty drivers, 1400W amplifiers, and powerful tools to make your next gig easier than ever.

Now equipped with a Feedback Eliminator plus a Music Ducking mode, Thump keeps the show running smooth when it counts.

Add in ultra-versatile I/O, legendary Thump sound quality, and easy portability, Thump is going to be your new favorite loudspeaker.

### APPLICATIONS:

Singer-songwriters, announcement PA, karaoke, clubs / cafés, houses of worship, schools, small restaurants, outdoor events / barbecues, banquet halls, conference rooms, boardrooms, and many, many more.

### FEATURES:

- 1400W ultra-efficient Class-D amplifier
- Built-Like-A-Tank™ to conquer every gig while lightweight for easy loading
- Frequency response: 47 Hz – 23 kHz [Thump212]
- Frequency response: 40 Hz – 20 kHz [Thump215]
- Max SPL: 128 dB [Thump212]
- Max SPL: 129 dB [Thump215]
- Flexible I/O
  - Ch.1 features an XLR/TRS input that accepts mic or line signals
  - Ch.2 features an XLR/TRS line input plus stereo 1/8" input
  - Thru output contains audio from both input channels
- 12" high-performance woofer [Thump212]
- 15" high-performance woofer [Thump215]
- 1" compression driver
- Built-in Feedback Eliminator reduces squeals and out of control rumble
- Music Ducking mode automatically reduces the level of Ch. 2 when Ch. 1 receives signal
- Universal Power Supply (100-240VAC)
- Standard pole mount
- Monitor wedge provides optimal angle for use as a floor monitor
- Weight
  - 27.6 lb / 12.5 kg [Thump212]
  - 32.6 lb / 14.8 kg [Thump215]
- Dimensions:
  - 24.4 x 14.0 x 14.0 in / 620 x 356 x 356 mm [Thump212]
  - 27.4 x 17.3 x 14.0 in / 696 x 439 x 356 mm [Thump215]

## THUMP 2022 SERIES SPECIFICATIONS

### Acoustic Performance

Frequency Response (-10 dB)	47 Hz – 23 kHz [Thump212]
	40 Hz – 23 kHz [Thump215]
Frequency Response (-3 dB)	54 Hz – 20 kHz [Thump212]
	47 Hz – 20 kHz [Thump215]
Horizontal Coverage	90°
Vertical Coverage	60°
Maximum SPL Peak	128 dB [Thump212]
	129 dB [Thump215]
Monitor Angle	40°

### Transducers

Low Frequency	12 in / 305 mm [Thump212]
	15 in / 381 mm [Thump215]
	with ferrite
High Frequency	1.0 in / 25 mm polymer compression driver

### Power Amplifiers

System Power Amplification	
Rated Power	1400 watts peak
Low Frequency Power Amplifier	
Rated Power	1200 watts peak
Rated THD	<1%
Cooling Design	Convection Class D
High Frequency Power Amplifier	
Rated Power	200 watts peak
Rated THD	<1%
Cooling Design	Convection Class D

### Input / Output

Input Type	2x Female XLR – 1/4" Balanced TRS combo jack
Mic/Line Impedance	10 kΩ Balanced
1/8" Line Impedance	10 kΩ Balanced
Thru Out	Male XLR Balanced
Thru Out Impedance	300 Ω Balanced

### Electronic Crossover

Crossover Frequency	2.1 kHz
---------------------	---------

### Line Input Power

Detachable line cord	100-240V~, 50-60 Hz, 75W
AC Connector	3-pin IEC 250 VAC, 10 A male
Power Supply Type	Switchmode

### Safety Features

Input Protection	Peak and RMS limiting, power supply and amplifier thermal protection
Feedback Eliminator	On / Off
Display LED	Rear panel signal / overload

### Mounting Methods:

Floor mount, pole mount via the built-in socket on the bottom of the cabinet [Be sure the pole is capable of supporting the weight of the loudspeaker].

There are no rigging points and they are NOT suitable for rigging. Do not suspend a Thump loudspeaker by its handles.

### Physical Properties (product)

#### THUMP212:

Height:	24.4 in / 620 mm
Width:	14.0 in / 356 mm
Depth:	14.0 in / 356 mm
Weight:	27.6 lb / 12.5 kg

#### THUMP215:

Height:	27.4 in / 696 mm
Width:	17.3 in / 439 mm
Depth:	14.0 in / 356 mm
Weight:	32.6 lb / 14.8 kg

## THUMP 2022 SERIES SPECIFICATIONS CONTINUED...

### Physical Properties (packaged product)

**THUMP212:**

Height:	27.2 in / 691 mm
Width:	16.5 in / 419 mm
Depth:	16.5 in / 419 mm
Weight:	33.5 lb / 15.2 kg

**THUMP215:**

Height:	29.9 in / 759 mm
Width:	19.3 in / 490 mm
Depth:	16.1 in / 409 mm
Weight:	39.2 lb / 17.8 kg

### Options

Thump212 Speaker Bag	P/N 2047360-09
Thump212 Rolling Speaker Bag	P/N 2047360-10
Thump215 Speaker Bag	P/N 2047360-11
Thump215 Rolling Speaker Bag	P/N 2047360-12
T100 Loudspeaker Tripod Stand	P/N 2052464
SPM400 Loudspeaker Pole Mount	P/N 2051055

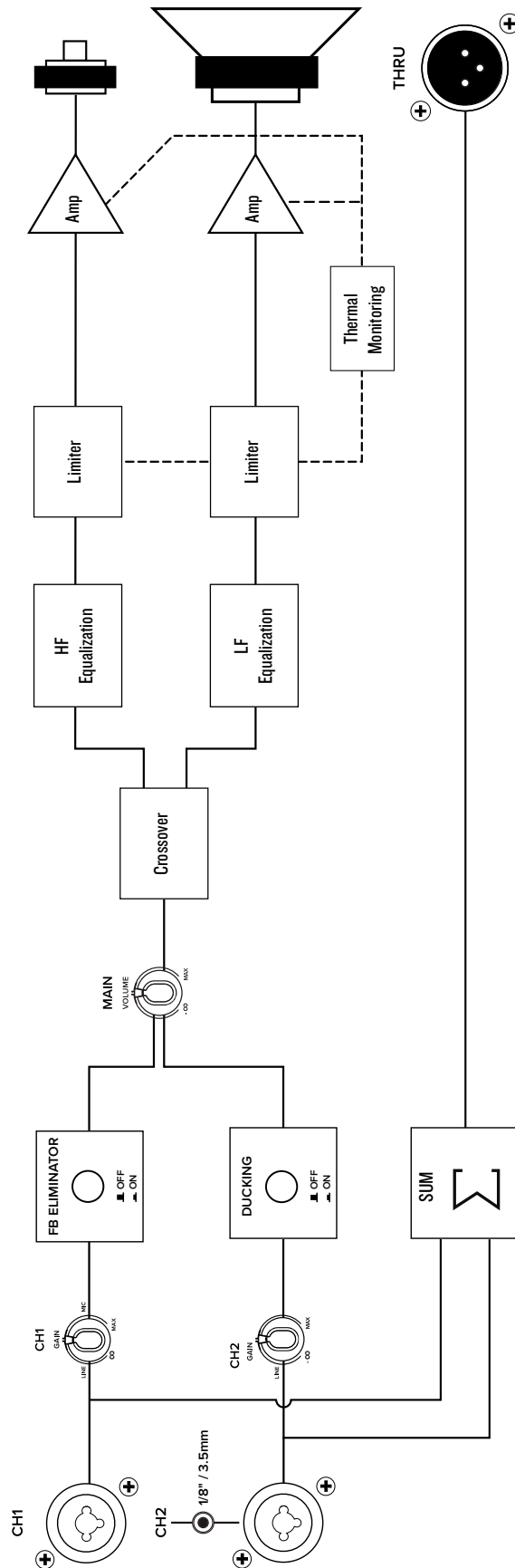
### Ordering Information

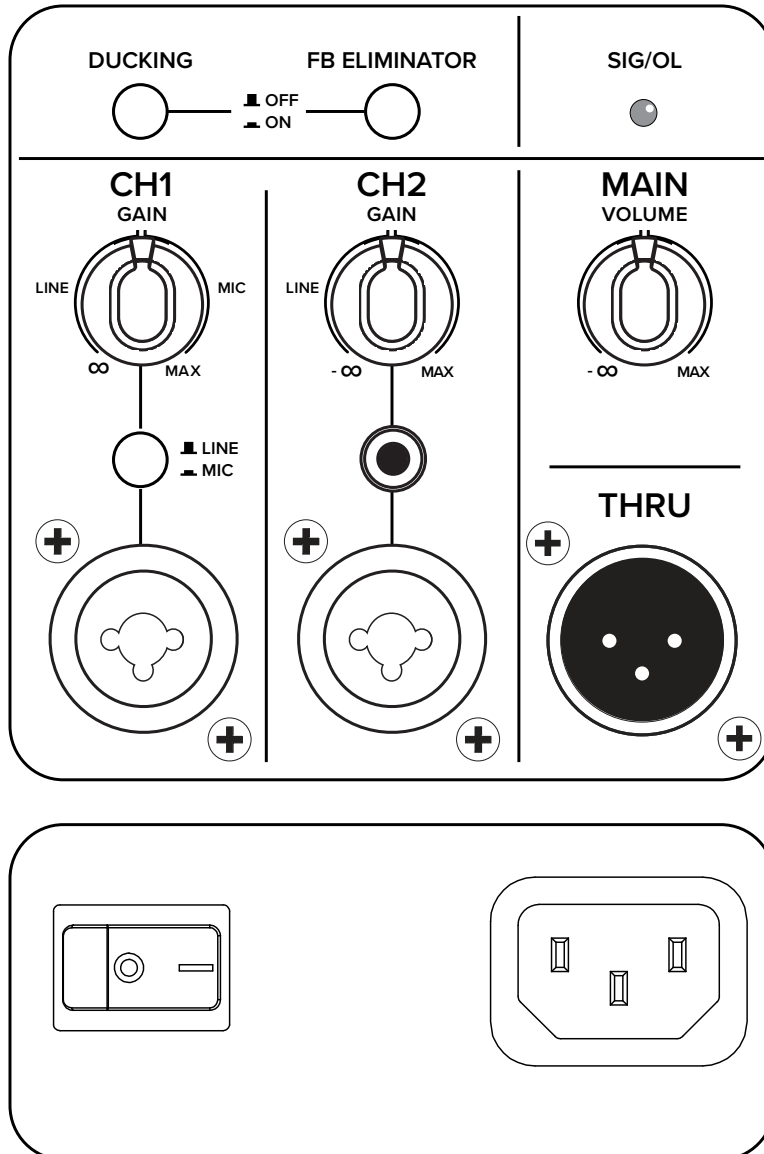
**THUMP212 – 12" 1400W Powered Loudspeaker**

P/N 2053483-00 (US)
P/N 2053483-01 (EU)
P/N 2053483-03 (UK)
P/N 2053483-04 (AU)
P/N 2053483-05 (CN)
P/N 2053483-06 (BZ -120V)
P/N 2053483-07 (AR)
P/N 2053483-08 (KR)

**THUMP215 – 15" 1400W Powered Loudspeaker**

P/N 2053502-00 (US)
P/N 2053502-01 (EU)
P/N 2053502-03 (UK)
P/N 2053502-04 (AU)
P/N 2053502-05 (CN)
P/N 2053502-06 (BZ -120V)
P/N 2053502-07 (AR)
P/N 2053502-08 (KR)

**THUMP 2022 SERIES BLOCK DIAGRAM**


**THUMP 2022 SERIES LOUDSPEAKER REAR PANEL**


Electronic files for this product are available at:  
[www.mackie.com](http://www.mackie.com)

Specification Sheet

THUMP\_2022\_SS.PDF

Owner's Manual

THUMP\_2022\_OM.PDF